

RS PRO S30 SC

PMMA Neutral white
EAN 4007841 068042
Article number 068042



LED	4000 K							5 years	CE
30 Jahre (Ø 4,5 Std / Tag)	4000K neutralweiß	Hochfrequenz Sensor 360°	1 - 8 m	2 - 2000 Lux	5 Sek - 15 Min	Kabellos vernetzbar	Energie sparen	Herstellergarantie steinel-professional.de/garantie	CE

Function description

Intelligence is not a question of size. It's a question of inner values. The smartest luminaire in the world, now even better! High-frequency sensor luminaire RS PRO S-series, ideal for office corridors, hallways, toilet facilities, stairwells, including radio networking with other RS PRO S-series, 25,8 W LED, 2747 lm, PMMA cover, 4000 K, 360° detection, range Ø 1 - 8 m continuously adjustable, basic light function, and neighbourhood group function. The S-series can also be operated with direct current, which enables connection to central battery systems.

Technical specifications

Dimensions (Ø x H)	350 x 83 mm
With lamp	Yes, STEINEL LED system
With motion detector	Yes
Manufacturer's Warranty	5 years
Settings via	Bluetooth
With remote control	No
Version	PMMA Neutral white
PU1, EAN	4007841068042
Application, place	Indoors
Application, room	changing room, kitchenette, Indoors, outdoors, WC / washroom, stairwell, function room / ancillary room, corridor / aisle
Colour	Silver
includes sheet of self-adhesive numbers	No
Installation site	wall, ceiling

Luminous flux total product	2747 lm
Total product efficiency	106 lm/W
Colour temperature	4000 K
Colour variation LED	SDCM3
Lamp	LED cannot be replaced
Base	Other
LED cooling system	Passive Thermo Control
Soft light start	Yes
Continuous light	selectable, 4h
Functions	Neighbouring group function, Presence function, Group parameterisation, Manual ON / ON-OFF, Connection to central battery systems, Motions sensor, DIM function, Adjustable fade time when switching on and off, Free selection of the light value in a luminaire group, Normal / test mode, Orientation light, Presence detector logic, Encrypted communication, Constant-lighting

RS PRO S30 SC

PMMA Neutral white
 EAN 4007841 068042
 Article number 068042



Technical specifications

Installation	Wall, Ceiling, Surface wiring
Impact resistance	IK07
IP-rating	IP20
Protection class	II
Ambient temperature	-20 – 40 °C
Housing material	Aluminium
Cover material	Plastic, opal
Mains power supply	220 – 240 V / 50 – 60 Hz
Power consumption	0,39 W
Mounting height max.	4,00 m
HF-system	5,8 GHz
Slave modeselectable	Yes
Detection	also through glass, wood and stud walls
Capability of masking out individual segments	Yes
Electronic scalability	Yes
Mechanical scalability	No
Reach, radial	Ø 10 m (79 m ²)
Reach, tangential	Ø 10 m (79 m ²)
Photo-cell controller	Yes
Transmitter power	< 1 mW

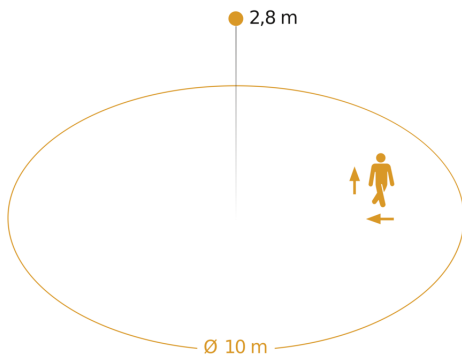
	control ON-OFF, Master/slave override, Data monitoring
Twilight setting	2 – 2000 lx
Time setting	5 s – 30 Min.
Basic light level function	Yes
Basic light level function, detail	LED effect light
Basic light level function time	10-30 min, all day, all night
Main light adjustable	5 - 100 %
Twilight setting TEACH	Yes
Interconnection	Yes
Type of interconnection	Master/master
Interconnection via	Bluetooth Mesh Connect
Lifetime LED according to IEC-62717 (L70)	100.000 h
Lifetime LED according to IEC-62717 (L80)	74.000 h
Lebensdauer LED nach IES TM-21 (L70)	>60.000 h
Lifetime LED according to IES TM-21 (L80)	>60.000 h
Fuse protection B10	36
Fuse protection B16	58
Fuse protection C10	61
Fuse protection C16	97
Basic light level function in per cent	10 – 50 %
Output	25,8 W
Starting current, maximum	16,5 A
Angle of aperture	160 °
Detection angle	360 °

RS PRO S30 SC

PMMA Neutral white
 EAN 4007841 068042
 Article number 068042

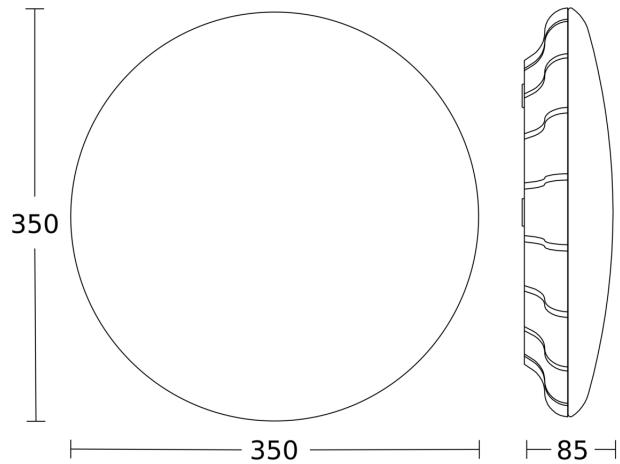


Detection Zone



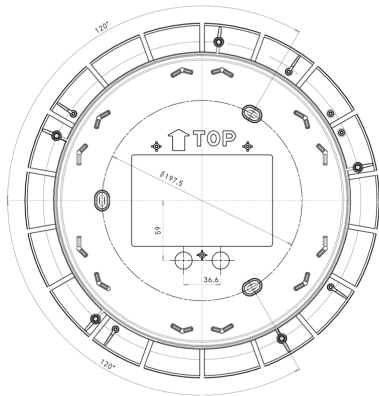
Possible mounting height: 2,00 m - 4,00 m
 Orange: radial and tangential

Dimension Drawing 1

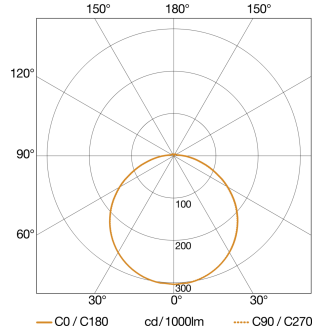


Dimension Drawing 2

Bohrschablone / Drilling template "RS PRO S 30"



Light Distribution Curve



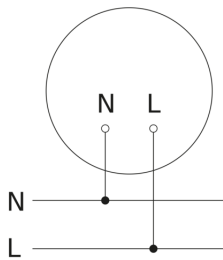
Output	25,8 W
With lamp	Yes, STEINEL LED system
Lamp	LED cannot be replaced
Measured luminous flux (360°)	2747 lm
Colour temperature	4000 K
LED life expectancy (max. °C)	55000 h
LED cooling system	Passive Thermo Control

RS PRO S30 SC

PMMA Neutral white
EAN 4007841 068042
Article number 068042



Slave/wireless master interconnection circuit diagram



Master/master interconnection circuit diagram

